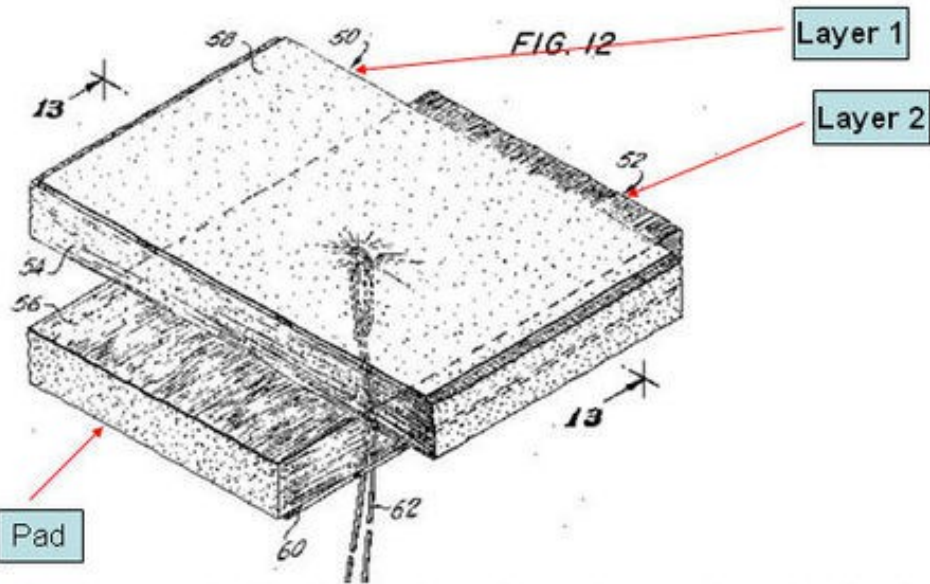


# Tampon



Absorbent composite (having two layers) superimposed on absorbent pad. Provides high degree of absorbency.