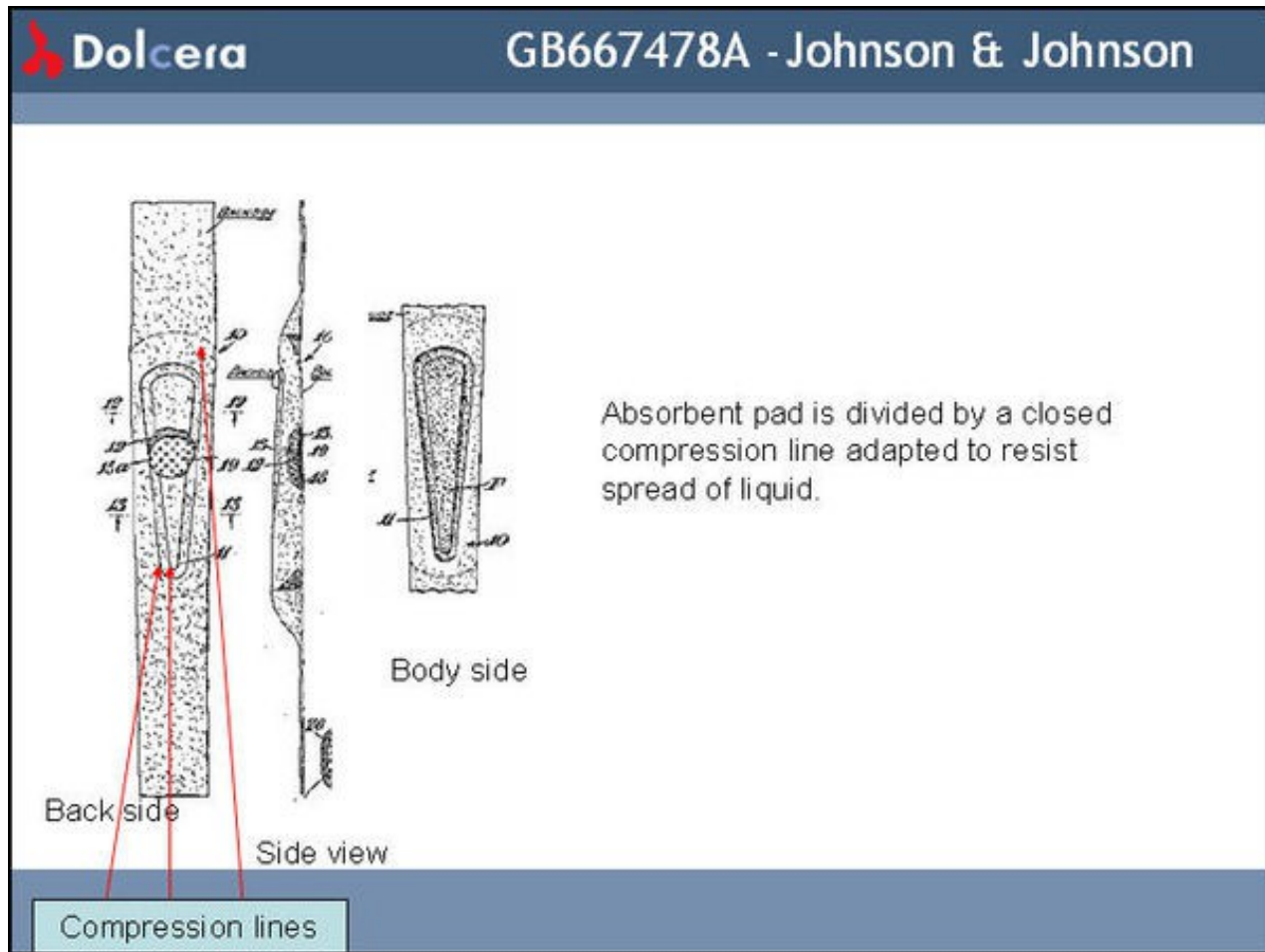


# Pictorial view of analysis

## Contents

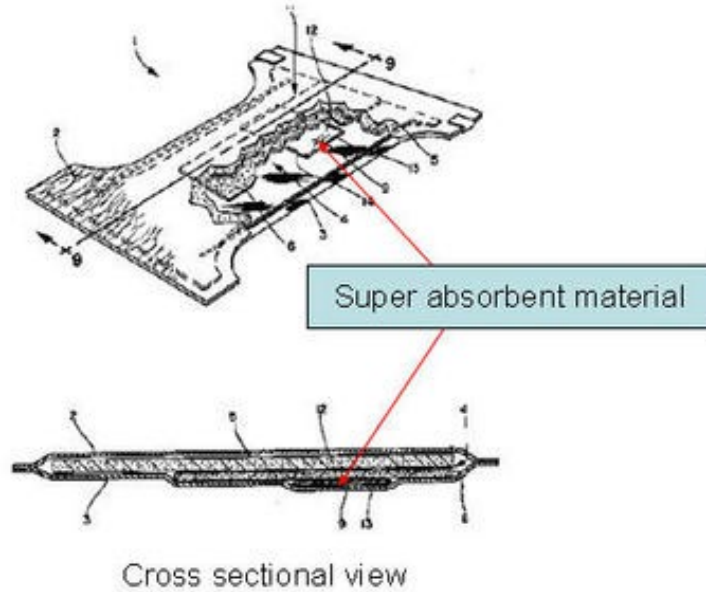
- 1 Absorbent pad
- 2 Attaching napkin to garment
- 3 Fastening means
- 4 Shoulder strap pad for bra
- 5 Tampon

### Absorbent pad

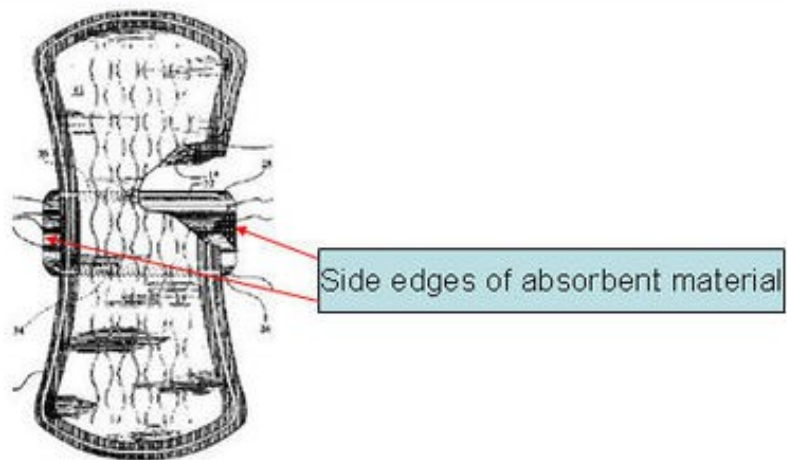


Absorbent pad is divided by a closed compression line adapted to resist spread of liquid.

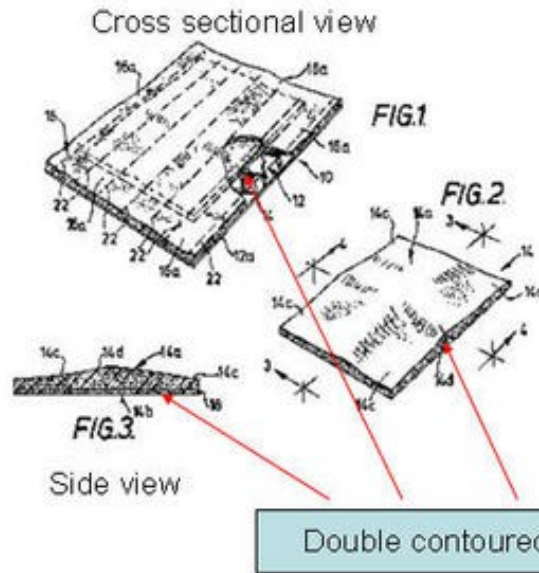




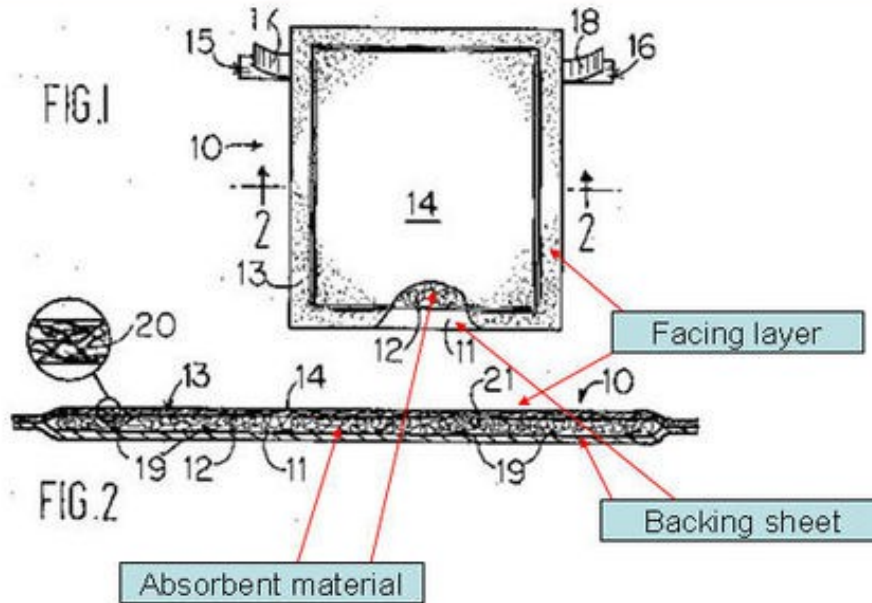
Super absorbent material (hydrocolloid materials) is sandwiched between two densified layers of cellulosic fiber - Enhances fluid distribution



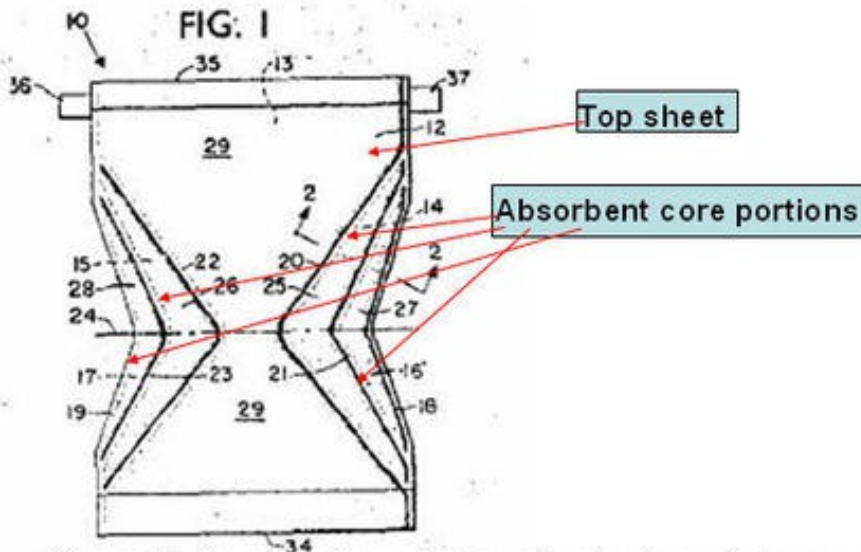
Structure having longitudinally extending side edges and transversely extending end portions (of absorbent material)  
- Enhances protection against leakage at the side edges



Double contoured batt layer of highly porous sandwiched between a porous facing layer and a water-impervious sheet. - High wettability and high fluid retentively

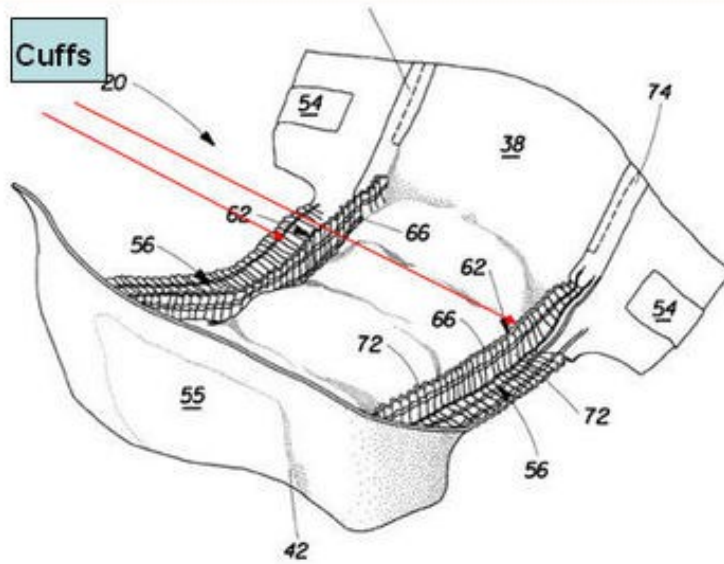


Fluid-impermeable backing sheet on which a layer of absorbent material is placed and a soft, body fluid-permeable facing sheet overlying said absorbent material - Soft feel, High absorption

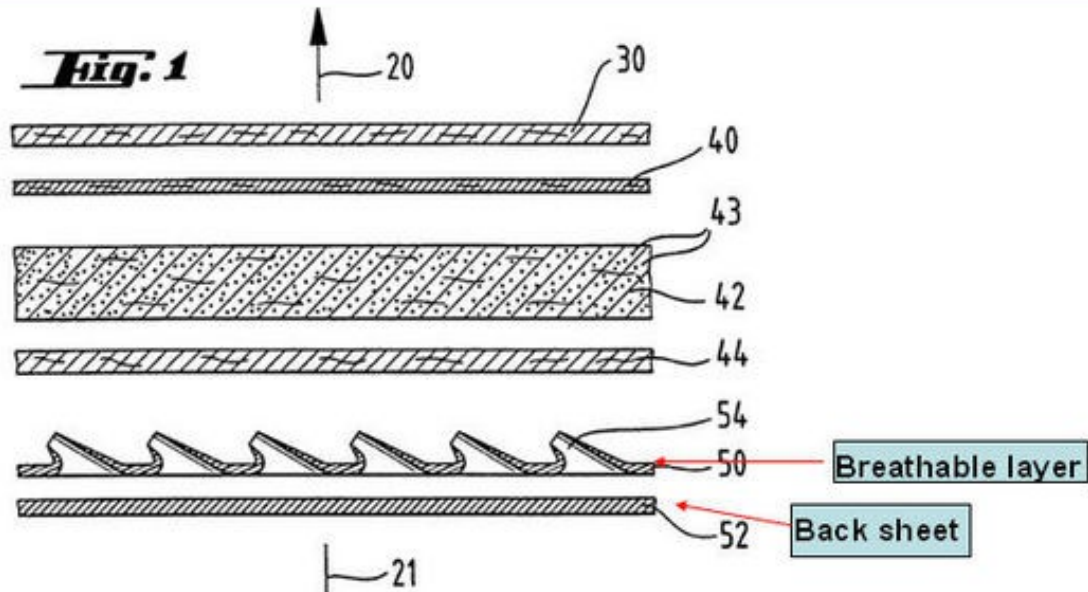


Diaper of **elongate shape** having absorbent core interposed between a moisture-permeable top sheet and a water impervious backing sheet.

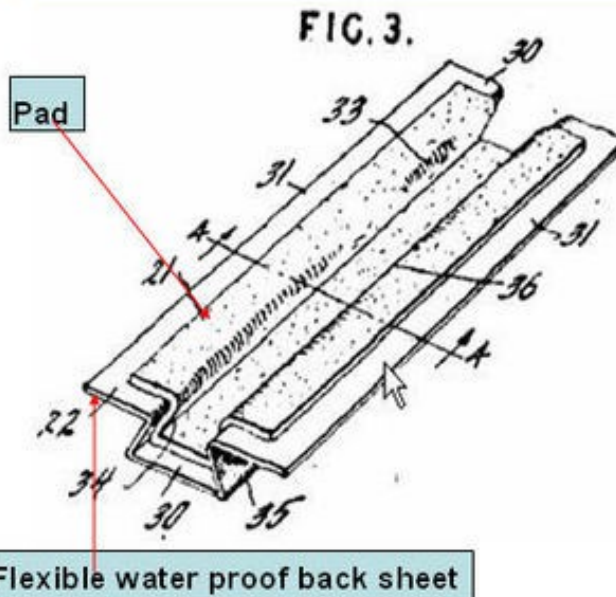
Improves the ability of the diaper to contain fluids and easily applied.



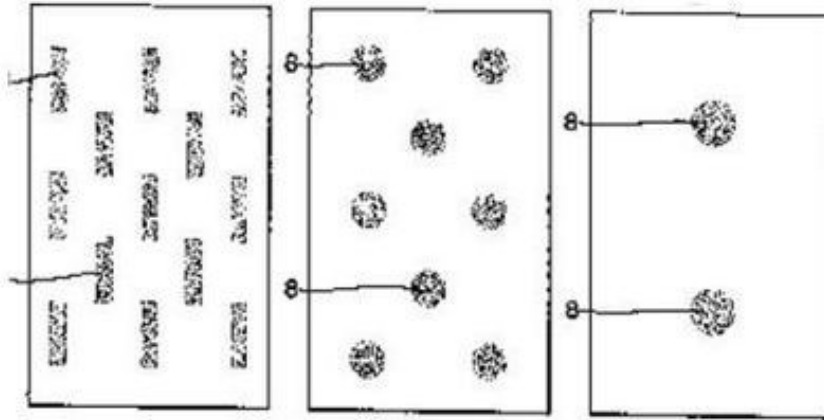
The skin care composition disposed on the cuffs is transferable to the wearer's skin by normal contact to body. It prevents rash, erythema, heat rash, abrasion, pressure marks, and skin barrier loss.



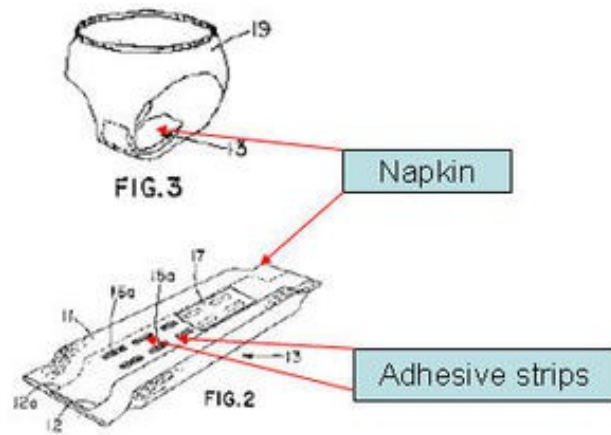
Aperture back sheet having breathable layer of a resilient for breathability (leakage safe vapor permeable allowing gaseous exchange with the environment - reduces the sticky feeling )



Diaper of **rectangular form** having flexible back sheet of waterproof material and a pad of absorbent material.  
 Rectangular diaper having more absorptive area.



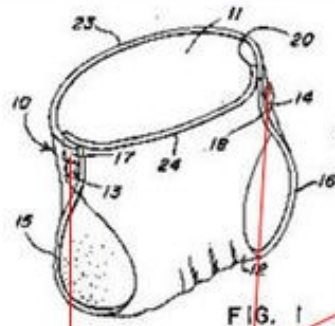
Alternative patterns for indicating agent (blue phthalocyanine dye and talcum powder) on absorbent pad - Indicates when to dispose diaper.



Two strips of adhesive extending longitudinally of the napkin is applied to the bottom side of the napkin. – For better attachment of napkin to garment



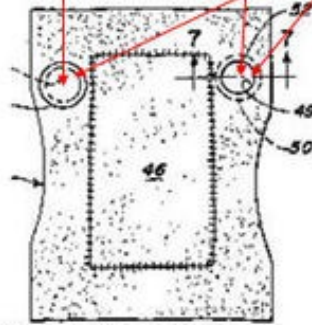
Fastening means



Closed view of diaper

FIG. 1

Pressure sensitive adhesive tap



Open view of diaper

Pressure-sensitive adhesive tape segment applied on the outside surface of the diaper. - contact for proper attachment  
 Adhesive surface of the fastening means is covered with a release sheet means which is readily removable upon use and preferably is permanently attached to the diaper - Adhesive material is not in contact with skin



Shoulder strap pad for bra

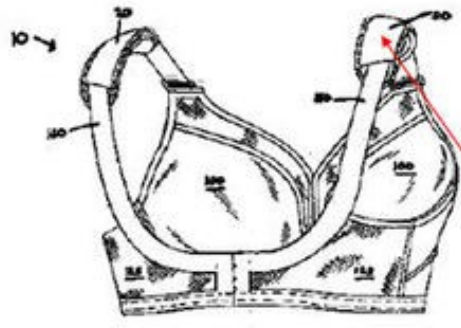


Fig. 1

Shoulder strap pad for bra

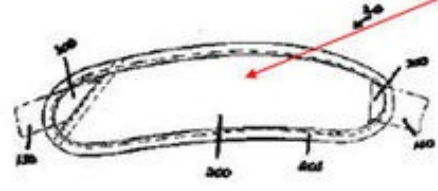
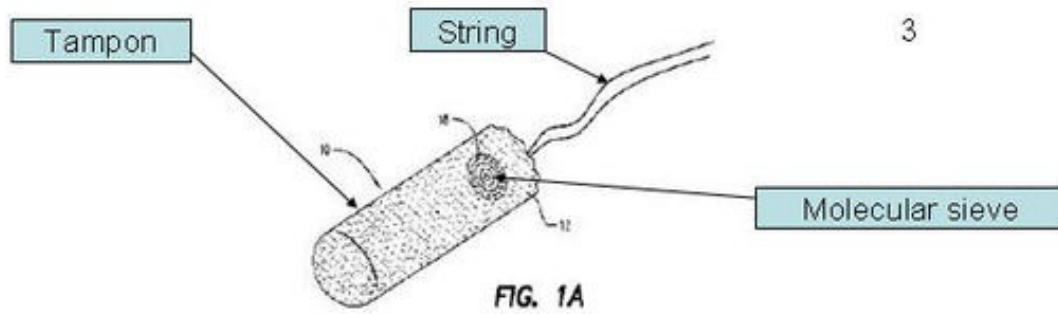


Fig. 2

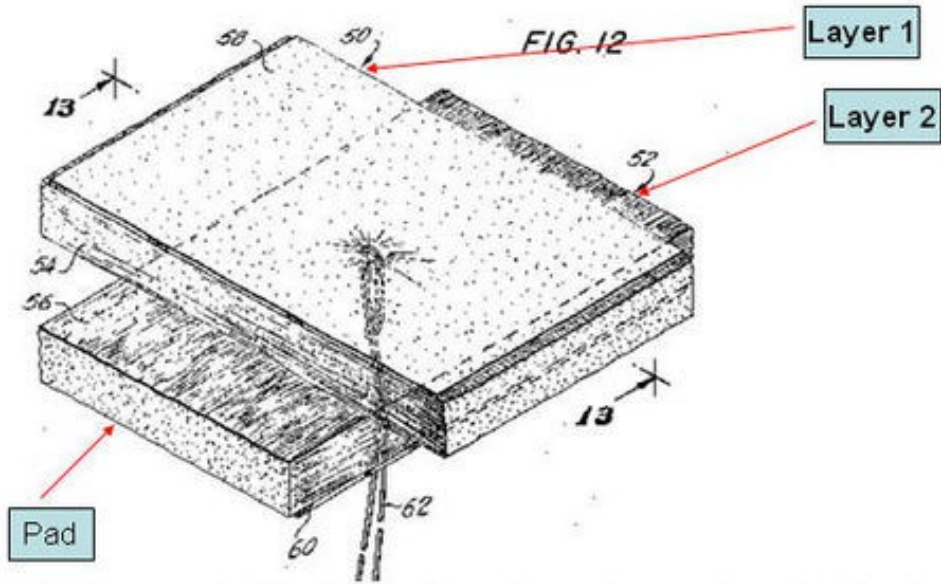
Shoulder strap pad for bra having a top cover, a bottom cover, and a cushion filler. The bottom cover is laminated to the top cover to form an enclosure in which the cushion filler is secured. - For comfort feeling



Tampon



Molecular sieve (natural zeolite in powder form) disposed within the fibrous material to absorb odors from the body fluids.



Absorbent composite (having two layers) superimposed on absorbent pad. Provides high degree of absorbency.